

June 2026

www.nmra-scwd.org

Volume 57 No. 10

Super's Report

Dave Down
Division Superintendent

Our Division has completed another season of meetings and we are wrapping things up until next fall. As I write this we are preparing for our Spring Banquet, and John Haverberg is getting the final head count for the picnic in July. He needs to know who is coming by July 1 so he can let the caterer know how many people to expect.

May is an interesting month. On the one hand we are wrapping up the year and holding our end of modeling year activities (banquet and July picnic) and on the other hand we are turning the page and getting ready for the next season. That's why I am writing this for you instead of Art Dawson. Art is stepping back to the Past Superintendent position and I will be taking over the role of Superintendent.

As we look back over the year we have had a very full schedule. There have been the monthly meetings from September through May, The youth group has also had monthly meetings during that same time frame. Last November the TrainFest was held at the Baird Center in Milwaukee, our own MadCity Rail Show took place in February. The NMRA National Convention was held in Novi, Michigan last summer. Our joint meeting with the RRVD was on May 3 with good participation from our fellow modelers to the south. This summer the NMRA convention will be in Chattanooga. Our banquet was held on May 15 and the summer picnic will be on July 18.

**SIGN UP
NOW!!!**

Next SCWD Meet
Verona Senior Center, Verona
September 13, 2026 at 1 PM

Next BOD Meeting:
June 9, 2026 at 6:30 PM
ZOOM Meeting



Next Youth Group
Verona Senior Center, Verona
September 12, 2026 1 PM

One of the things that stands out in all of these things is the common denominator of "people." We do these things so people can participate in this hobby, and we need people to make them happen. As the new superintendent I am reminded my role is to help make the SCWD relevant and useful to all of you: encouraging and helping with your modeling and promoting the friendships that come from sharing the hobby. We are reminded of the friendship aspect by the passing last month of Jerry Lawler. A very real loss for those of us who knew him.

I'm looking forward to seeing many of you at the picnic and also in September. Have a great summer!

Dave Down, SCWD Superintendent
dfdown2000@gmail.com

Picnic
July 18th
*sign up forms in this
issue of the Bad Order*

Layout Tours

Phil Hottmann

I hope you all enjoyed the tours this past season! I'm appreciative to all of you that opened your layouts.

For the May meet we enjoyed touring four layouts, two of which we have not had opened before. Thanks to Al Potts, John Kosobucki, Bob McGeever and Art Dawson. Hopefully this worked out well for the Rockford Group, we tried to route these partially on their way back home. It's great to see some new layouts under construction!

We are looking into the possibility of doing a Fall Color Tour again this year. Typically, we do this mid to late October. Keep a look out for future information.

I have lots of openings for tours for next season. If you are interested in getting on the schedule, please let me know. We would love to see some more new layouts.

Phil



Al Potts

John
Kosobucki



Bob McGeever



Art Dawson

Clinic Column

Bob Wundrock

As we've wrapped-up another season of SCWD meetings and clinics, I'm wondering how the membership likes my selection of clinicians and topics. I get very little feedback.

When I schedule clinicians, I sometimes will get a choice of topics. Most times it's only one presentation that a clinician has available.

I try to vary topics, but sometimes a clinician is only available on a particular date.

I'd like to know from the membership (a "straw poll") what subjects you liked, disliked, or want to see covered more.

Remember, SCWD members will receive \$50 to do a 45-60 minute clinic on a railroad or model railroad subject.

I'm currently scheduling February through April 2027 clinic slots.

See you virtually,
Bob



AP Corner

Ken Hojnacki, AP Chair

An off-the-wall comment on a drive home with Rusty Dramm from an operating session, I mentioned that having done a couple of clinics for the Division and at least one article in a hobby magazine, he should consider working toward his Author Achievement Award. Rusty said: "Yeah I should do that, I never thought about that one." Next day, I got a message from Rusty that he went right home and checked his records. Lo and behold, he had more than enough.

At our annual banquet, Rusty was presented with his award. Three down, four to go toward his MMR. Get working on your paperwork, Rusty.

Ken



Modeling Project

Mike Vivion

As I said at our May meeting, I am hoping to find a laser-cut wood structure for our 2026-2027 Modeling Project. As in previous years, I expect the project to involve construction of the kit and then creating a mini-diorama utilizing the completed structure.

Currently, I am evaluating structures from several vendors to identify a kit that is available in N and HO scales (and possibly O scale) that we can use for the project, and whose costs will be compatible with our Division's 2026-2027 budget and will be approved by the Division's Board.

I hope to provide more information in the next issue of the Bad Order or in the September issue at the latest. Have a great Summer.

Mike Vivion
Modeling Project Chair

Youth Group

Steve Preston, Chair



Well, we wrapped up our final meeting of the season with an operating session. Phil and Karl set up tables and started to lay some track for a DCC run. They got a good start, when the kids started to show up and looked to see what we were up to, Phil and Karl let them finish with what they wanted to do.

They had some sidings so that they could run several trains at one time, (good thing the Transportation Safety Board wasn't there). They got out most of the cars we had in the boxes, and some of the engines too, as well as some of their own engines they brought themselves.

We also had a special guest come and join us from the Rockford Division, Ron Johnson was at our joint meeting. He was interested in starting a youth group there, so he came to see what we did, and took some pictures back with him, (hope it works out for them). We also voted to go to Argyle to the toy train museum in August on the 8th; anyone wanting to go, just contact me.

This finishes it up for the summer, see you all at the banquet. Thanks Karl and Phil for your help.

Steve Preston
Youth Group Chair and
SCWD Membership Chair



Contest Column

Dave Down, Chair

The contests from 2025-2026 are completed. Our last contest before the summer was on May 3 and the theme was **Circus** in three categories:

May 3 Popular Vote Contest Results - Circus

Models

Cat. A Passenger Car

- 1st Dave Down: CWM Delavan Coach
- 2nd Mike Vivion: RBB&B Coach
- 3rd Mike Vivion: RBB&B Combine



Cat. B Animal Car

- 1st Dave Down: CWM James Strates Baggage horse car #44



Cat. C Flat Car w/ Load

- 1st Ken Mosney RRVD: Combination Flat / Stock Car
- 2nd Dave Down: CWM RBB&B Flat #53 with 4 wagons
- 3rd Mike Vivion: RBB&B Flats w/ Vans



Prototype Photos

Cat. PA Passenger Car

- 1st Dave Down: CWM "Janesville" Diner
- 2nd Steve Preston: RBB&B Streamlined Coach

Cat. PB Interior Details - Station

- 1st Dave Down: CWM Sells Bros Elephant Car
- 2nd Steve Preston: Elephant Car

Cat. PC Flat Car w/ Load

- 1st Dave Down : CWM Howe's & VamAmburg Flat w/ Wagons
- 2nd Jason Martin: CWM Loading Flat Cars

Next year's contests will need some changes. Since I am taking over duties as the Division Superintendent, we will need someone to take over running the Popular Vote Contests. I will help the transition by putting together the contest themes for next fall, but we will need someone to take over actually running the contests. Suggestions for contest themes for the 2026-2027 contest season are needed and will be welcomed.

Scores have been tabulated for the year and presentations were made at the banquet for Modeler of the Year and Photographer of the year.

Dave

Annual SCWD Banquet May 15th, 2026

Awards



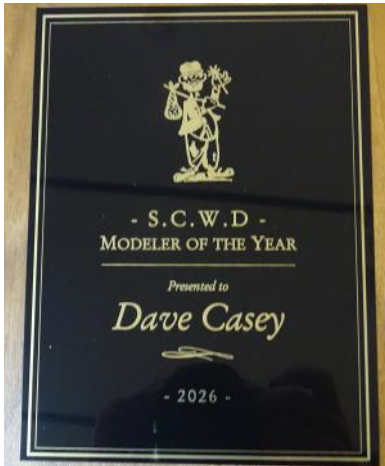
Phil Hottmann
Hank Brown Award
for
Lifetime Achievement and Service



Othmar Vorburger
Bob Davis Award
for
Volunteerism



Dave Down
Photographer of the Year



Dave Casey
Modeler of the Year



Art Dawson
Bob Steele Award
Past Superintendent



Dave Down
Receiving the incoming
Superintendent Gavel









SCWD 2026 Annual Summer Picnic

Saturday, July 18, 2026

For the past several years, except for 2020, the SCWD has held a catered picnic at Little Amerricka Park in Marshall. The SCWD Board has agreed to do so, again, this summer on Saturday, July 18. SCWD members and their families, Youth Club members and their families and other invited guests approved by the Board, can attend the picnic. Reservations have been made with the amusement park for use of their Blue Rose Pavilion and catering is being provided by Angelo's, used in 2024 and 2025. The park opens at noon and closes at 5 pm. Lunch will be served starting at 12:30 pm. Railway equipment can be viewed for free, but train and other rides require purchased tickets from the Park. Also, model train vendors will be at the Park on July 18th.

Please provide the form and payment to me by check or cash at a SCWD meeting or by mail to the address below. To determine the food quantities for the caterer, you will have to sign up and pay by July 10, 2026.

Little Amerricka is located on STH 19 on the east edge of Marshall. Parking directly at the Blue Rose Pavilion can be reached off Box Elder Rd., intersecting USH 19 just east of the Park's regular entrance.

SCWD 2026 Annual Picnic Sign-up and Payment Sheet

SCWD Member and Family Attendee names

Cost each: (\$5>11 or \$0<12)

Total Amount Enclosed: \$ _____

My address is: **John Haverberg,
4797 Delmara Rd,
Middleton, WI 53562**

Any questions, contact me at:
email address: haverdj@tds.net
or Phone: 608-836-7963.



A Puzzle for You

You like trains, or train watching, but have you ever wanted to go to an OPS (Operating Session) and run trains on someone else's layout, but were afraid you wouldn't know what to do?



Model Railroad Operation is a fun and interesting role-playing game where the players (operators) use model trains to simulate the movements of the prototype railroad. Operators fill the roles of railroad employees like engineers, conductors, yardmasters, dispatchers, and more. Many of our SCWD members participate each month at multiple layouts to enjoy this fun and stimulating practice of critical thinking and problem solving in the context of railroad operations.

Now, there is a way for you to get your feet wet in this critical thinking and problem-solving railroad environment in the privacy of your own home through the use of railroad switching puzzles.

In July 2020, a group of SCWD members started a project to introduce more of our members to the enjoyment of railroad operations, or as our wives call it, playing trains. Some of us have been engaged in operating sessions for 20 years or more, and would like to get more of you involved.

The project involves getting one to solve a series of train switching puzzles (on paper, or your computer) in the least number of moves possible. You can then submit your solution to see if yours was done in the least number of moves.

Beginners can start with **3 introductory puzzles** to show the kinds of skills used in railroad switching operations. Then, you can advance to a series of more advanced puzzles written and based on actual SCWD member area layouts. Or, if you have already been to an OPS session, you could do an introductory puzzle, and jump right into the more challenging ones.

Join the SCWD listserv now and begin learning what this is all about!

Email Steve Lanphear at scwdmemberlist@mhtc.net to be added to the list and start receiving your puzzles now!

Happy Railroading!
Steve



Enjoy receiving interesting rail photos, model railroad tips, Operating puzzles, and challenging Mystery Photos??

Join The 120+ SCWD members and members from other Midwest Regional Divisions who are participating in the SCWD listserv. You can expect 5 - 10 photos of railfan photos or model railroad photos or other items per week on average, as well as SCWD announcements, monthly Mystery Photo contests, Modelers Corner, and OPS Corner Puzzles. The listserv has been running this since April 2012, and it has been quite popular.

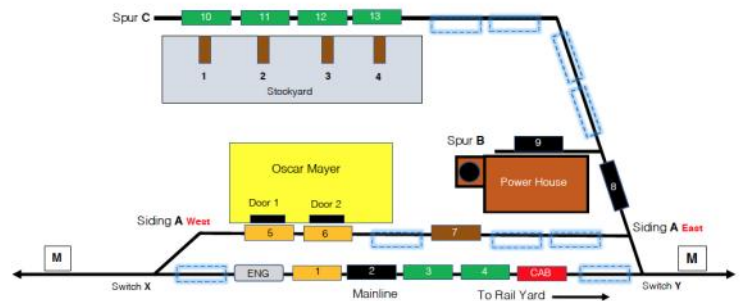
The listserv is a one-way email broadcast to you, not a social media type service. The emails are sent in bulk, but as a BCC: type email.

Please save this email so you know how to get a hold of me. So, if you would like to try out this FREE member service, just send me your **Name** and **email address**, and **City/State** to the address below. You may drop out at any time by sending an email stating such to the same address below.

Steve Lanphear
SCWD listserv Coordinator
scwdmemberlist@mhtc.net



OPS Puzzles

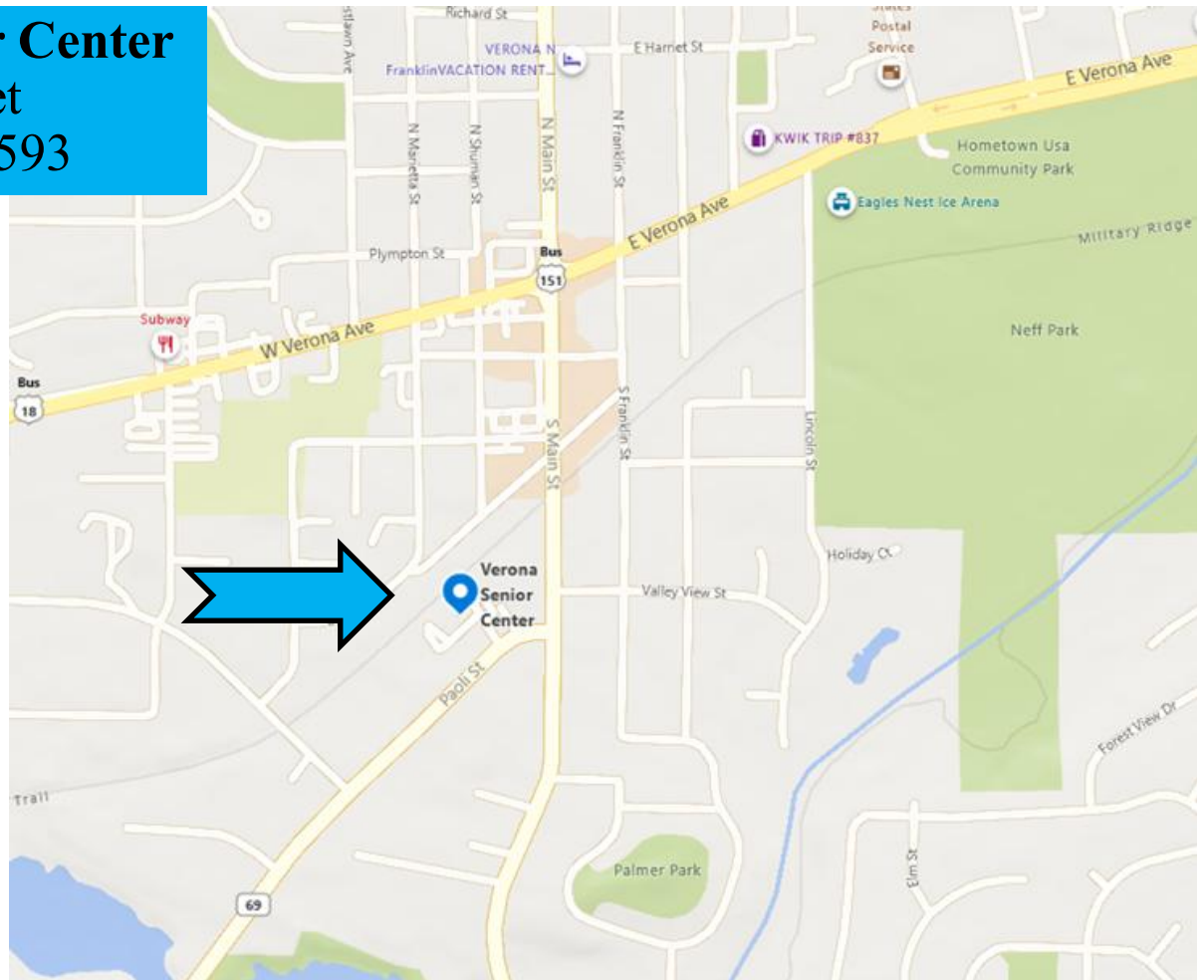


OPS Puzzles have arrived! We now have a section on the SCWD Website that has all 11 puzzles that we have published on the listserv, including the handouts and diagrams. You can start from the beginning, or pick and choose which puzzles you would like to try.

www.nmra-scwd.org/ops-puzzles.html

Steve Lanphear and the Puzzle Development Team.

Verona Senior Center
108 Paoli Street
Verona, WI 53593



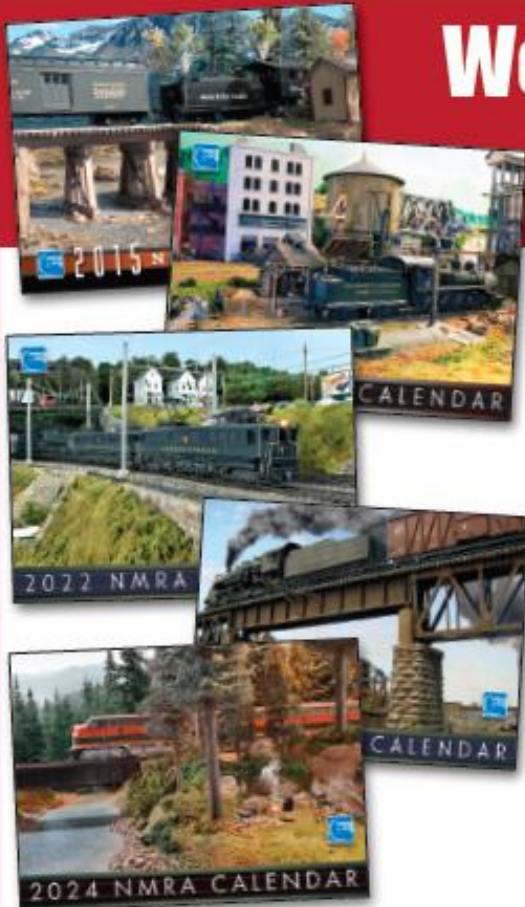
2026 NMRA National Convention Scenic City Express, Chattanooga



The NMRA National Convention is coming to Chattanooga, TN for the first time ever in 2026! The Southeastern Region is excited to host NMRA members from around the world in the Scenic City. The dates are July 27-August 2 so mark your calendars. Visit the convention's webpage at nmra2026.org and sign up to receive updates on the convention plans as they unfold. Early bird registration is open at nmra2026.org/registration/ so you can start your plans now. There will be a week full of fun activities planned including:

More details and information on the activities and events will be shared in future eBulletins. Stay tuned!

We're looking for a few good layouts...



...12 to be exact!

You're proud of your model railroad. Why not share it by submitting a photo or two (up to four) for the 2027 edition of the NMRA Model Railroad Calendar?

The calendar is distributed to every U.S. member as a fundraiser every November.

It's easy to submit your photos. Just visit www.nmra.org/printed-calendar and you'll find answers to all your questions, along with a detailed explanation of the photo requirements and how to submit. *Photography tips videos too!*



More questions?

Just drop an email to calendarphotos27@nmra.org or call Gerry Leone at 952-334-3445. This email address is updated yearly and previous addresses are no longer active.

PLEASE NOTE: By submitting your photograph(s) for the NMRA Calendar you certify that none have been AI-enhanced and you are giving permission to the editors to alter them as needed (cropping, smoke and lighting effects, etc). Please indicate if you do **NOT** want your photos altered when you submit them. Your photos may also be used for NMRA promotional purposes however, you do retain ownership of your images.

2015, photo by Greg Komar, Or30 modeling by Jim Gore, MMR, Santa Clara, UT.
2019, photo and HO scale modeling by Jerry Lauchle, MMR, State College, PA.
2022, photo and O scale modeling by John Sethian, Exton, PA.
2023, photo and HO scale modeling by Richard Walz, Northampton, MA.
2024, photo and HO scale modeling by Larry Blaylock, Kansas City, MO.

Photos may be submitted between January 1 and the final deadline of **July 15, 2026** for consideration.



MIDWEST
REGION

Join the Fox Valley Division
On Our Summer Outing to the

Milwaukee Light Engineering Society

Visit the 7 1/2 inch Gauge Railroad
With Over 5,000 Feet of Track

Sunday July 26, 2026
12:00 noon – 4:00 pm



FOX VALLEY
DIVISION

The MLES Railroad is located near Cedarburg, Wisconsin
(about 25 Miles Northwest of Milwaukee)
Watch for Further Information and Details, from the FVD
An Entrance Fee of ~\$5 will be collected by MLES



FOX VALLEY
DIVISION

Background

The Milwaukee Light Engineering Society owns seven acres of land about 25 miles Northwest of Milwaukee, Wisconsin. It provides members who own large scale steam and diesel locomotives a place to operate their equipment. This is not an amusement park for public entertainment, but is available for public visits on designated run days and special event evenings. Public visits are subject to cancellation due to inclement weather.

The Railroad

The members of MLES have constructed more than 5280 feet of 7 1/2 inch gauge track, with another 1800 feet of sidings, spurs, train yards and storage tracks. This gives Railroad Park one full mile of mainline: that is 8 scale miles in 1 1/2 scale railroading. There are several bridges spanning the creek that runs through the property, and a variety of routes that can be traveled by the trains.

Location

Railroad Park is located in the Town of Jackson, Wisconsin, North of Pioneer Road (CTY C) at 2620 North Country Aire Drive (CTY M). This is directly west of Cedarburg, Wisconsin.





**Minutes SCWD Board Meeting
6:30 PM, 21 April 2026
via Zoom meeting**



The meeting of the South Central Wisconsin Division Board of Directors was called to order at 6:46 pm by Superintendent Art Dawson. Bob McGeever, David Dingman, David Down, Phil Hottmann, Steve Preston and Sean Hadfield were present. Bob Wundrock was also present.

Minutes of April 12, 2026 Members Meeting

Motion by McGeever, second by Down to approve the minutes of the SCWD Members Meeting held on April 12th, 2026. Motion carried.

Minutes

Motion by McGeever, second by Down to approve the minutes of the SCWD Board Meeting held on March 10th, 2026. Motion carried.

Paymaster Report

Art Dawson asked for comments on the March Paymaster Report. There were no comments. Motion by Down, seconded by Hottmann, to approve the Paymaster Report as presented. Motion carried.

Committee Reports

Picnic – Nothing to report.

Achievement Program – Nothing to report.

Advertising - Nothing to report.

Bad Order - Articles to were due to Bad Order editor by April 20th.

Clinics – Bob Wundrock – May clinics will both be presented by Rich Mahaney – (5 busy traffic locations for your model railroad and F.8.S.T. – modelling tank cars 2025 and beyond). Bob has the fall 2026 clinics scheduled.

Contests - Model and Photography – May theme is “Circus Trains”. More details can be found on the SCWD website and in the Bad Order. Ideas for contests – email Dave Down.

Modeling Project – Ideas for next year’s modeling project, contact Mike Vivion.

Door Prizes – Nothing to report.

Layout Tours – Al Potts, John Kosobucki, Bob McGeever and Art Dawson are scheduled for May. Please email Phil Hottmann if interested in hosting a tour of your layout.

Membership – Steve Preston – Memberships are mostly up to date.

Spring Banquet – Art Dawson – Banquet date is May 15th, 2026.

Publicity – Nothing to report.

Rail School – Nothing to report.

Rail Show – 59th Annual Rail Show is scheduled for February 20-21, 2027.

Youth Group – Very good participation in the April model contest..

Website – Website is working well. Tom Morrison has completed the search optimization.

Old Business:

Nothing to report.

New Business:

Mid West Region (MWR) has requested volunteers sign up for the 2029 National convention at Indianapolis.

The Bob Davis (volunteer of the year) and Hank Brown (lifetime achievement and service) awards will be presented at the Spring Banquet.

Board of Directors have voted in Dave Down as the new Superintendent and Sean Hadfield as Assistant Superintendent. Art Dawson is now Past Superintendent, Bob McGeever (Paymaster) and David Dingman (Clerk).

A motion was made by McGeever, seconded by Down to appoint Phil Hottmann to fill the open BOD seat. Motion carried.

Adjournment:

A motion was made by McGeever, second by Preston to adjourn the meeting. Motion carried. The meeting was adjourned at 7:19 pm.

David Dingman - SCWD Clerk



For those members that participate in the listserv emails from Steve Lanphear, please remember to send him your new email if you change it! Changing your email with the NMRA does not change it on the listserv. His email is:

Steve Lanphear
SCWD listserv Coordinator
scwdmemberlist@mhtc.net

FROM the NMRA
Please Keep in Touch



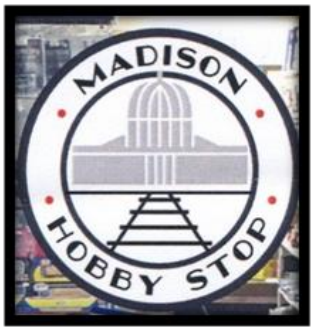
Please make sure the NMRA has your current contact information. You will not be able to access the full range of NMRA benefits unless we can reach you.

- Please visit nmra.org/members
- Use your email address and password to log in.
- If you have not yet registered, or forgot your password, there are buttons for that. Take a moment to easily correct any problems.
- Once logged in, click on Member Info (top right corner).
- Make sure your information is correct.
- If not, please go to:

nmra.org/request-membership-info-changes

to submit a request for changes to be made.

Thank you!



MADISON HOBBY STOP

6622 Mineral Point Road, Madison, WI 53705

Ph: 608-829-3820 • Fax: 608-829-3852 • www.madisonhobbystop.com

Hours: Monday – Friday (10 am – 8 pm) and Saturday (10 am – 5 pm)

Model Railroading • Plastic Model Kits • Rockets & Accessories • Pine Car •
Paints • Tools & more!



Happy Summer!!

Gift Certificates available for Father's Day.

New/Old stock continues to come in.

For all your railroading needs, I have most in stock always.

**We are closed on Sundays
until late November.**

Thank you for your continued support.



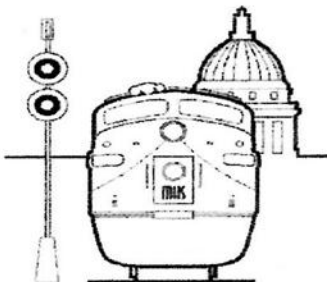
**Preorders are 20% off regular price except
Walthers Proto which is 20% off**

New/old consignment coming in weekly, stop in for best selection

**Remember, most model railroad items are 20% off
with a valid NMRA or other club id card**

Excludes discounted or sale items, magazines, and consignments

Gift Certificates Available



Madison Hobby Stop
Chris Roosli, Proprietor

The Hobby Depot

Brian Stackpole, owner



See us on the web at: www.hobbydepotmonroe.com



835-17th Street
Monroe, Wisconsin 53566

Phone: 608-325-5107

Call ahead to be sure we're open!

email: hobbydpo@tds.net

TRAINS & MORE

South Central Wisconsin Division of the National Model Railroad Association

Publishes eleven issues yearly of the

BAD ORDER

Official Mailing Address:

BAD ORDER

3940 Trempealeau Trail

Verona, WI 53593

Photos in the Bad Order, unless otherwise noted,
are by Kathy Clancy

Deadline for submissions: **14th of the month
prior to publication.** Email Bad
Order Editor at SCWDKATHY@AOL.com

Place your ad here!!!

Contact

Kathy Clancy

Bad Order Editor

SCWDKathy@aol.com

RAILROAD THE GAME®

BUY ONLINE
www.railroadthegame.com
For \$11 off + free shipping
use coupon code: engine11

45 - 60 MINUTES **2 - 6 PLAYERS** **AGES 10 to 99+**

Shipping: **SHIPING CONTRACT**
Destination: NEW YORK

Shipping: **TOP TIER TIRES LLC**
Destination: SEATTLE

Shipping: **ENTER FRESH**
Destination: DULUTH

PLEASE PATRONIZE OUR AREA HOBBY STORES

The Hobby Depot – 835 17th Street – Monroe WI
Madison Hobby Stop – 6622 Mineral Point Rd (inside Clock Tower) – Madison WI *

* = Train Show Ticket advance sales

SCWD 2026-2027 Meeting Schedule

Regular Meeting

September 13, 2026
October 4, 2026
November 1, 2026

BOD

September 15, 2026
October 13, 2026
November 10, 2026

Youth Group

September 12, 2026
October 10, 2026
November 7, 2026

UPCOMING EVENTS

July 18, 2026 Picnic

A Word about Constant Contact e-mail

Each Constant Contact e-mail includes links to update or unsubscribe your e-mail address. **Please do not use these links.** If you unsubscribe using the Constant Contact link, your e-mail address will be removed from the NMRA membership database, from the Midwest Region e-mail database and probably from your Division's records. If you get an e-mail that you don't want, just hit the delete key. Furthermore, if you use the update link, your change may not be timely posted to the NMRA membership database.

If you need to change your email address with the NMRA please follow these directions:

The direct way is to log on to the "Members" page of the NMRA website, choose the "View your NMRA membership" box on the right side of the screen, scroll down to the bottom of the page and select "Update". Enter the new email address in the appropriate box and click "Submit".