

April 2026

www.nmra-scwd.org

Volume 57 No. 8

Super's Report

Art Dawson
Division Superintendent

Hello fellow modelers,

The Mad City Model Railroad Show went very well. We had a few hiccups, and those are already being addressed for next year's show. I want to sincerely thank the volunteers as you are the glue that holds this show together.

Our annual business meeting, where we vote for board members, is during the April meeting. If you are interested in running for the board, we'd love to hear from you. Let me or any of the existing board members know, we'll get you on the ballot. The bio's for the candidates are in the Bad Order again this month.

Also in April is the judging for the annual modeling project. Be sure to bring your diorama in for prize judging.

The Annual Banquet is going to be on May 15th. Reservation sheets will be in the Bad Order for the next several issues as well as the Summer Picnic. I've only received a couple of reservations so far, so please get them in the mail soon.

I'm in Texas this month visiting family. I took the Texas Eagle down from Chicago and had an enjoyable trip. If you'd like to discuss my experience, please see me at the April Meeting.

Thanks,

Art Dawson, SCWD Superintendent
nkp284@yahoo.com
Model railroading is fun!

Next SCWD Meet
Verona Senior Center, Verona
April 12, 2026 at 1 PM

Next BOD Meeting:
April 14, 2026 at 6:30 PM
ZOOM Meeting



Next Youth Group
Verona Senior Center, Verona
April 11, 2026 1 PM



Clinic Column

Bob Wundrock

I'm beginning to fill out the September 2026 through May 2027 SCWD meeting clinics' schedule. If you're interested in presenting a clinic and/or need help with a Power Point presentation, please let me know. SCWD members will get a \$50 stipend for a 45-60 minute presentation.

Our first clinician for the April meet will be Bob Sprague with "Prototype track Planning."

Bob says track plans are models too! He's the author of numerous track planning articles in *Model Railroader* and elsewhere. He'll present techniques any modeler can use to create a track plan that closely replicates the prototype in both appearance and operational possibilities. His clinic includes information sources, best practices, and the "evolution" of one of his published track plans.

Bob has been a model railroader since he was five days old, when an overeager grandfather gave him his first Lionel set. After modeling the Chessie System of the 70s most of his life he abruptly turned the clock back another 50 years and is now building a 3-level rendition of the Maryland & Pennsylvania RR as of May 5, 1924. He enjoys layout design, trackwork, scenery, structure building, and operations.

Our second clinic will be Jon Dettmann from the Milwaukee area. Jon will present "Modeling a Branch Line of the Chicago & Northwestern Railway in Wisconsin" and the benefits of modeling branch lines.

He has been active in Model Railroading, along with his dad and brother ever since he was a young kid. Jon has been an active member of the NMRA for the past few years.

See you virtually,
Bob

Layout Tours

Phil Hottmann

I wasn't able to attend the tour at Bill Clancy's, but I understand that quite a few new people were able to attend. A lot of us see his layout quite regularly at his operation sessions. We all know how impressive it is! Thanks to Bill for opening.

For April we will be able to see another new layout this season. Pete Reinhold will open his layout in Prairie du Sac. We were able to see a clinic last season on the construction of his benchwork. So, I'm pretty excited to see how this layout is progressing. If the Redbook is correct, this is the Elmira Branch of the Pennsylvania Railroad.

Looking forward to next season, I will be looking for layouts to fill the season. Let me know if you think you'll be ready.

Phil



Contest Column

Dave Down, Chair

We have one more popular vote contest in May for the 2025-26 year. We do not have a contest in April, that is reserved for the Modeling Contest. In May we will have a circus theme contest. The categories will be:

- Passenger cars
- Animal cars
- Flat cars w/ load

Remember, the May meeting will be a joint meeting with the Rock River Valley Division in Verona. Also, in May we will be presenting Modeler of the Year and Photographer of the Year awards at the banquet.

This month (April) we will be having the Modeling Project entries. Mike Vivion has once again set us up for some fun, this time creating a diorama centered around a Walthers donut shop model.

Our March contest once again had good participation. The results are recorded below.

March Popular Vote Contest Results - Interior Details

Models

Cat. A Interior Details - Passenger Car

1st Dave Casey: CNW #726 64 seat coach



Cat. B Interior Details - Station

1st Dave Casey: CNW Std #2 Depot
2nd Sean Hadfield: MCRM Picnic building



Cat. C Interior Details - Commercial Building

1st Dave Casey: Corner Pub in Reedsburg
2nd Al Potts: Cafe
3rd Dave Casey: Alice's Restaurant



Cat. D Interior Details - Engine

1st Dave Casey: CNW #9908 Doodlebug
2nd Colton Meyer: GWR "Manor" Class engine
3rd Colton Meyer: C&O 2-8-4 Berkshire



Prototype Photos

Cat. PA Interior Details - Passenger Car

1st Steve Preston: Riding in style (Parlor Car)
2nd Steve Preston: Dining in style

Cat. PB Interior Details - Station

1st Steve Preston: Entering Sacramento Station

Cat. PD Interior Details - Engine

1st Dave Lendved: Cab ride in WGN #423

Dave

AP Corner

Ken Hojnacki, AP Chair

The easiest award to earn in the Achievement Program is the Golden Spike Award. No evaluation or scratchbuilding needed; just things you probably do building your layout.



1. Build 6 units of rolling stock, scratchbuilt, craftsman kit or super detailed model. This is as simple as building a kit where you have to attach the ladders, grab irons, stirrups and brake rigging such as in an Intermountain or Silver Streak kit.
2. Construct 8 square feet of railroad including scenery.
3. Construct 5 structures that are scratchbuilt, craftsman kit or super detailed models. Add lots of details inside and out to a Walthers kit, add lighting, signs, or animation, all that counts.
4. Install three different types of track that can be either commercially made or scratchbuilt. These would include turnout, crossing, crossover, etc. The track must be properly ballasted on appropriate roadbed.
5. Demonstrate that track is wired so that two trains can be operated at the same time. DCC solves that requirement easily but a double track mainline would also be acceptable.
6. Provide at least one additional electrical feature such as power operated turnouts, signaling, turnout indication, lighted buildings, etc.

At our March meeting, Rusty Dramm received his Golden Spike Award after realizing he hadn't attacked the easiest step on his journey to Master Model Railroader.

How about you? Take a look around your layout and if you can meet the above requirements, let me know and I will arrange to verify them and get your own Golden Spike on the way.

Ken



Modeling Project

Mike Vivion

By the time you read this column, it will be time for the culmination of this year's modeling project for everyone who completed their project and will either be bringing it to our April 12th meeting, or already brought to the meeting (if you are reading this after April 12th), for popular vote judging.



The winners of this year's project will be announced in the May Bad Order and pictures of their projects included if space permits. Again, I want to thank everyone who signed up for this year's project even if you did not complete it and bring it to the April meeting.

I don't know if I will be chairing next year's modeling project, but if you have any ideas or suggestion for that project, please see me at the April or May meeting, or email me. At this point in time, I have no ideas or suggestions for next year's modeling project.

Good luck on completing your projects!

Mike Vivion

Modeling Project Chair



Annual Election of the SCWD Board of Directors

April 12, 2026

Candidates in Alphabetical Order

Chris Bradley

I have been interested in model railroading for almost 40 years, since I was 10 years old. My father had just purchased a new AHM Locomotive (C&NW SD40) from our local Woolworth. That prompted him to bring out a train set that he got a couple years earlier. It was Tyco's "Steel Hauler" set. I received my own Life-Like train set the following Christmas. Yes, I think I still have most of these pieces in my collection. My father, brother and I were pretty happy just setting up and taking down various ovals on the floor for a couple of years. A trip to our local train show introduced us to the world of model railroading and layouts. From there we started visiting our local hobby shop "The Owl's Roost". In the basement was the local Club's modular layout that had become permanent. That led us to joining the Kankakee Model Railroad Club. This allowed us use of the layout on Saturday mornings.



My first layout was just a 4x6 sheet of plywood with a grass mat on it. I have had and been part of various layouts and modules over that time period. I have also contributed to many fellow model railroader's layouts along the way. I am in the finishing stages of the room that will house what I think will be my 7th layout.

I enjoy being a member of the SCWD and being a part of the meetings. I have been an active official member of the NMRA for the last 3 years. Previously, I had attended SCWD meetings sporadically over the last 17 years prior to that. I have also been a participating parent member and presenter of the Youth Group for the last 10 years. Other model railroading club experience includes being part of the Kankakee Model Railroad Club for about ten years in the 1990's, until other more grown up things became center focus for a few years. I got back into the hobby in 2002, the year after my wife and I bought our first home. This last year I was asked to be a part of the SCWD Board of Directors. I am looking forward to continuing in the role as a Board Member should you choose to keep me on the Board.

Thank you

Art Dawson

Like many others I had an HO train loop on a sheet of plywood when I was young, and mine had a slot car track in the middle of it too! As a child, my family road the Empire Builder out to Seattle (dome cars and all) with my two brothers and I dressed in red polo shirts. All mom had to do was ask any car attendant were we were, and they knew.



After forays into model airplanes, rockets and cars, then school, girls, and work followed by family took up all my time until my son was old enough to show some interest. By then I had learned that my grandfather and great-grand father worked on the section gang for the Nickle Plate in central Illinois. I've been hooked on that prototype ever since. As my son got old enough, we joined the SCWD youth group and participated in the show for a couple of years and attended meetings. When Hank Brown decided he was burnt out as Show Chairman, I asked what was involved one meeting, and if you knew Hank, he talked me into taking over as chairman. The rest was history as I had that role for 20 years.

Being back in the area for a few years now, and working the show office for the last two years, I decided it was time for the next step and agreed to run for the SCWD Board last year. I got elected, and have been honored to serve as your Superintendent. I will do my best to support the division going forward if re-elected.

Candidates continued next page

Dave Dingman

Interest in model and prototype railroading survived many challenging tests during the time following childhood/teenage fascination as college, multiple moves and work all limited participation to reading Model Railroader magazine, sporadic railfanning and going to model railroad shows. Repeated visits to the Mad City Model Railroad Show helped re-ignite my passion for model railroading.



I joined the SCWD and NMRA in 2016 to expand my knowledge of model railroading. Since becoming a member of the SCWD, I have become the AV Chair and have also been the Ticket Master for the Mad City Model Railroad Show for the last four shows. It has been my honor to have served on the SCWD Board of Directors (BOD) for the last four years. I would like to continue serving on the SCWD BOD for the coming year.

Dave Down

Hello SCWD members. My name is Dave Down and I am running for re-election to our Division's Board of Directors. I have been interested in model railroading starting with my first train when I was 8 years old. I had a large American Flyer set which was big enough to run around both our living room and parlor. My father also introduced me to HO trains when I was 12 when he gave me a refrigerator car (which I still have). While I was in college my parents moved and had an auction, which was the last time I saw the American Flyer. After that time I was pretty much a closet model railroader until I approached retirement.



During the next 45 years I read magazines, acquired some engines and cars, and started work on a couple different layouts. Work took me on the road and gave me too many chances to procrastinate, so when I approached retirement I set a goal of becoming a model railroader for real. I decided to become a member of the SCWD in the fall of 2015 with the goal of meeting and getting to know people who have already had success in the hobby, and to find which aspect of the hobby will give me the most satisfaction. As a result, I have acquired a model railroad layout based on the Soo Line (Bill Ehlert's Rugby Junction).

I believe the SCWD is most successful when it provides modelers the opportunity to find and develop their interests. For some, it is operations, for others it is modeling engines or rolling stock, and to others it is modeling scenes, and some just like to collect railroad artifacts and models. Personally I find myself drawn to railroad stations and to railroad history. It is my goal to help the SCWD continue to encourage modelers find their interests and expand their interests and skills in the hobby.

Sean Hadfield

Like so many others, I got my first train for Christmas around the age of six. This was the 1970's, and it was an HO scale Lifelike ACL 4-6-2 with 2 circus wagon flatcars and 2 Rivarossi old-time coaches. I still have those, and I've continued collecting for the next 50 years.



I went on to become a civil engineer, probably because I love creating layouts so much.

Originally from Chicago, I first joined the NMRA in Glenview at the now-defunct North Shore and Western Division, when my wife and I bought our first house nearby. Later when we moved to Madison and started raising kids, I would occasionally check in at SCWD meetings and Region conventions.

Now a full member again, I chaired the Rail School for 2025 and helped at the Show Office at the Mad City Train Show the same year.

I am now running to become a first-time member of the SCWD Board of Directors, to help in keeping this beneficial and vibrant organization running along.

Candidates continued next page

Bob McGeever

My wife and I have been rail fans all our lives. I got interested in model trains as a kid when my dad gave me and my brother his childhood Lionel train set. I spent the first 30 years of my married life intending to build a model railroad. My boys and I went to the train show every couple of years and dreamed of what we could do with half the basement. Time passed, the boys grew up and I found I finally had the time to build a model railroad.



I started the planning a layout about 12 years ago. I'm working in N scale using the WSOR as my prototype. It supports my interest in lots of local freights in limited space, it runs through the town I live in, and I really like the color scheme on their locos. After we retired and added to the house, I had twice as much basement to fill. The expanded layout has almost all the track installed. I have developed an operating system using JMRI Ops Pro. Some of the scenery is done. I have lots of structures to complete. But it runs!

I joined the NMRA in 2010 to learn from other people with more experience. I have had the honor of serving on the BOD since 2011 as the Clerk and the Superintendent. I currently serve the SCWD as Paymaster and as the Train Show Committee Chair.

Steve Preston

Thank you all for voting me in on the board for the past several years. I have had the opportunity to see what goes on in our organization and I am proud to have been part of such an important role in our division. I hope you will keep having confidence in our board's leadership, and trust. I will continue to serve and help our division grow, given the opportunity.



Youth Group

Steve Preston, Chair



First of all, I would like to introduce two new members to our group, they are Keith and Ray Woldt. Their mom signed them up on Saturday and the twins jumped right in to help out and participate in our activities; welcome boys hope you'll stick with us.



At our March meeting we worked on our donut shops and bases. The tribe dug right in and started their scenery around their shops. Phil Hottmann helped some newcomers to get them started. They all made a good start at it with track and shop on location to work in trees, roads, parking lots, etc. They are lucky enough to have some extra time to work on them at our April Youth meeting, since our regular meeting is the next day. I was glad to see the moms dig in with their sons and give them ideas and help with the layouts with trees and grass. They burned up a good 2 1/2 hours in a hurry.

Thanks Phil for your time, and all who showed up for the meet, we had a good turnout.

Steve Preston
Youth Group Chair and
SCWD Membership Chair





It's banquet time!

May 15th 2026

To be held at the:

American Legion Hall
207 Legion Street
Verona, WI 53593



Cocktails at 6pm

Dinner will be served starting at 7pm — so don't be late.

Reservations must be received by May 8th

Cost of meal: SCWD/NMRA members, \$15.00

Non-NMRA attendees, \$25.00

Children 12 & under, \$5.00

Name:

\$

Note: If you are an NMRA member, your spouse, child over 12 or significant other is the same price as you.

If more than 4 then add to a separate piece of paper and send it along with your reservation.

Address: _____

City: _____ WI Zip _____

Bring your reservation to an SCWD meet or mail to:

Art Dawson
16317 W. Union Rd.
Brooklyn, WI 53521

Amount enclosed: \$ _____ Checks should be made payable to the SCWD



SCWD 2026 Annual Summer Picnic

Saturday, July 18, 2026

For the past several years, except for 2020, the SCWD has held a catered picnic at Little Amerricka Park in Marshall. The SCWD Board has agreed to do so, again, this summer on Saturday, July 18. SCWD members and their families, Youth Club members and their families and other invited guests approved by the Board, can attend the picnic. Reservations have been made with the amusement park for use of their Blue Rose Pavilion and catering is being provided by Angelo's, used in 2024 and 2025. The park opens at noon and closes at 5 pm. Lunch will be served starting at 12:30 pm. Railway equipment can be viewed for free, but train and other rides require purchased tickets from the Park. Also, model train vendors will be at the Park on July 18th.

Please provide the form and payment to me by check or cash at a SCWD meeting or by mail to the address below. To determine the food quantities for the caterer, you will have to sign up and pay by July 10, 2026.

Little Amerricka is located on STH 19 on the east edge of Marshall. Parking directly at the Blue Rose Pavilion can be reached off Box Elder Rd., intersecting USH 19 just east of the Park's regular entrance.

SCWD 2026 Annual Picnic Sign-up and Payment Sheet

SCWD Member and Family Attendee names

Cost each: (\$5>11 or \$0<12)

Total Amount Enclosed: \$ _____

My address is: **John Haverberg,
4797 Delmara Rd,
Middleton, WI 53562**

Any questions, contact me at:
email address: haverdj@tds.net
or Phone: 608-836-7963.



A Puzzle for You

You like trains, or train watching, but have you ever wanted to go to an OPS (Operating Session) and run trains on someone else's layout, but were afraid you wouldn't know what to do?



Model Railroad Operation is a fun and interesting role-playing game where the players (operators) use model trains to simulate the movements of the prototype railroad. Operators fill the roles of railroad employees like engineers, conductors, yardmasters, dispatchers, and more. Many of our SCWD members participate each month at multiple layouts to enjoy this fun and stimulating practice of critical thinking and problem solving in the context of railroad operations.

Now, there is a way for you to get your feet wet in this critical thinking and problem-solving railroad environment in the privacy of your own home through the use of railroad switching puzzles.

In July 2020, a group of SCWD members started a project to introduce more of our members to the enjoyment of railroad operations, or as our wives call it, playing trains. Some of us have been engaged in operating sessions for 20 years or more, and would like to get more of you involved.

The project involves getting one to solve a series of train switching puzzles (on paper, or your computer) in the least number of moves possible. You can then submit your solution to see if yours was done in the least number of moves.

Beginners can start with **3 introductory puzzles** to show the kinds of skills used in railroad switching operations. Then, you can advance to a series of more advanced puzzles written and based on actual SCWD member area layouts. Or, if you have already been to an OPS session, you could do an introductory puzzle, and jump right into the more challenging ones.

Join the SCWD listserv now and begin learning what this is all about!

Email Steve Lanphear at scwdmemberlist@mhtc.net to be added to the list and start receiving your puzzles now!

Happy Railroading!
Steve



Enjoy receiving interesting rail photos, model railroad tips, Operating puzzles, and challenging Mystery Photos??

Join The 120+ SCWD members and members from other Midwest Regional Divisions who are participating in the SCWD listserv. You can expect 5 - 10 photos of railfan photos or model railroad photos or other items per week on average, as well as SCWD announcements, monthly Mystery Photo contests, Modelers Corner, and OPS Corner Puzzles. The listserv has been running this since April 2012, and it has been quite popular.

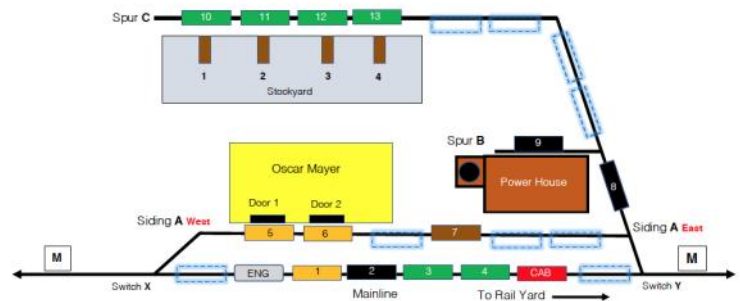
The listserv is a one-way email broadcast to you, not a social media type service. The emails are sent in bulk, but as a BCC: type email.

Please save this email so you know how to get a hold of me. So, if you would like to try out this FREE member service, just send me your **Name** and **email address**, and **City/State** to the address below. You may drop out at any time by sending an email stating such to the same address below.

Steve Lanphear
SCWD listserv Coordinator
scwdmemberlist@mhtc.net



OPS Puzzles

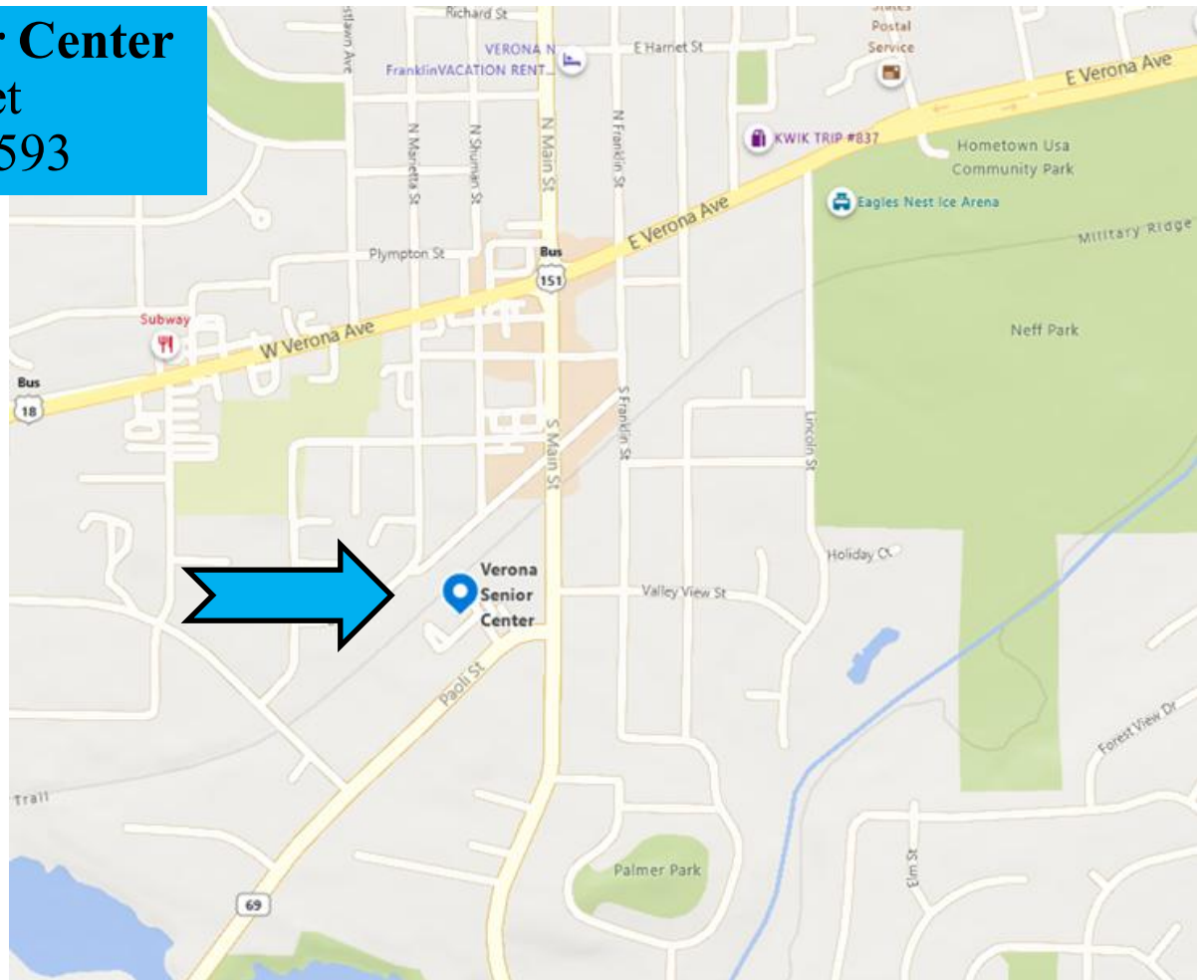


OPS Puzzles have arrived! We now have a section on the SCWD Website that has all 11 puzzles that we have published on the listserv, including the handouts and diagrams. You can start from the beginning, or pick and choose which puzzles you would like to try.

www.nmra-scwd.org/opsuzzles

Steve Lanphear and the Puzzle Development Team.

Verona Senior Center
108 Paoli Street
Verona, WI 53593



2026 NMRA National Convention Scenic City Express, Chattanooga



The NMRA National Convention is coming to Chattanooga, TN for the first time ever in 2026! The Southeastern Region is excited to host NMRA members from around the world in the Scenic City. The dates are July 27-August 2 so mark your calendars. Visit the convention's webpage at nmra2026.org and sign up to receive updates on the convention plans as they unfold. Early bird registration is open at nmra2026.org/registration/ so you can start your plans now. There will be a week full of fun activities planned including:

More details and information on the activities and events will be shared in future eBulletins. Stay tuned!

We're looking for a few good layouts...

...12 to be exact!

You're proud of your model railroad. Why not share it by submitting a photo or two (up to four) for the 2027 edition of the NMRA Model Railroad Calendar?

The calendar is distributed to every U.S. member as a fundraiser every November.

It's easy to submit your photos. Just visit www.nmra.org/printed-calendar and you'll find answers to all your questions, along with a detailed explanation of the photo requirements and how to submit. *Photography tips videos too!*

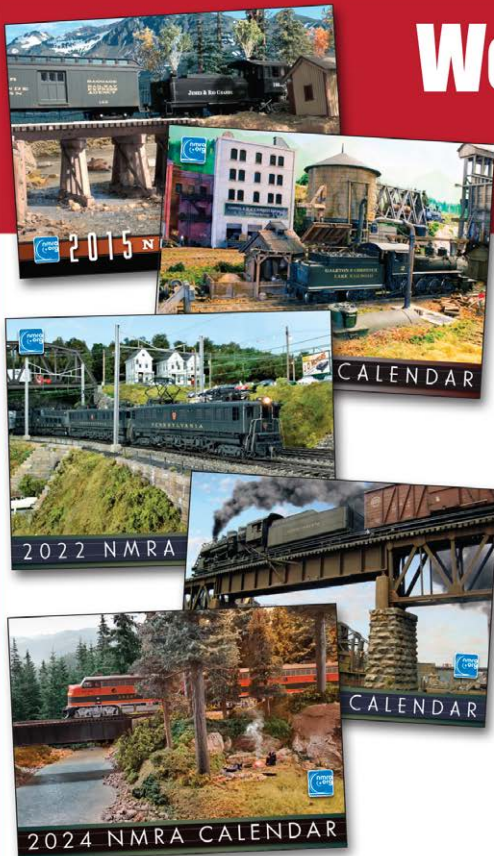
More questions?

Just drop an email to calendarphotos27@nmra.org or call Gerry Leone at 952-334-3445. This email address is updated yearly and previous addresses are no longer active.



printed-calendar
web page

PLEASE NOTE: By submitting your photograph(s) for the NMRA Calendar you certify that none have been AI-enhanced and you are giving permission to the editors to alter them as needed (cropping, smoke and lighting effects, etc). Please indicate if you do **NOT** want your photos altered when you submit them. Your photos may also be used for NMRA promotional purposes however, you do retain ownership of your images.



2015, photo by Greg Komar, On30 modeling by Jim Gore, MMR, Santa Clara, UT.
2019, photo and HO scale modeling by Jerry Lauchle, MMR, State College, PA.
2022, photo and O scale modeling by John Sethian, Exton, PA.
2023, photo and HO scale modeling by Richard Walz, Northampton, MA.
2024, photo and HO scale modeling by Larry Blaylock, Kansas City, MO.

Photos may be submitted between January 1 and the final deadline of **July 15, 2026** for consideration.



**Minutes SCWD Board Meeting
6:30 PM, 10 February 2026
via Zoom meeting**



The meeting of the South Central Wisconsin Division Board of Directors was called to order at 6:30 pm by Superintendent Art Dawson. Bob McGeever, David Dingman, Phil Hottmann, Steve Preston, David Down and Chris Bradley were present. Bob Wundrock was also present.

Minutes

Motion by McGeever, second by Preston to approve the minutes of the SCWD Board Meeting held on January 13th, 2026. Motion carried.

Paymaster Report

Art Dawson asked for comments on the January Paymaster Report. There were no comments. Motion by Preston, seconded by Dingman, to approve the Paymaster Report as presented. Motion carried.

Committee Reports

Picnic – Nothing to report.

Achievement Program – Nothing to report.

Advertising - Nothing to report.

Bad Order - Articles to be submitted for the newsletter by February 16th. BOD members provide updated Bios prior to February 16th, 2026.

Clinics – Bob Wundrock – March clinics are John Sethian (Modeling in 2 rail ‘O’ gauge) and Dave Ackmann (Amazing Arduino Animation for you RR).

Contests - Model and Photography – March theme is “Interior details” for passenger cars, stations/deports, commercial buildings or engines. List for remainder of season is on the SCWD website. Ideas for contests – email Dave Down.

Modeling Project – Ideas for next year’s modeling project, contact Mike Vivion.

Door Prizes – Nothing to report.

Layout Tours – Bill Clancy will have his layout open for the March layout tour. Pete Reinhold is scheduled for April, Art Dawson, John Kosobucki and Bob McGeever are scheduled for May. Please email Phil Hottmann if interested in hosting a tour of your layout.

Membership – Steve Preston – Memberships are up to date.

Spring Banquet – Art Dawson – Banquet date is now May 15th, 2026.

Publicity – Nothing to report.

Rail School – Nothing to report.

Rail Show – Bob McGeever stated that the Rail Show floor layout has been finalized. Vendor tables for the Rail Show are sold out.

Youth Group – Nothing to report.

Website – Website move to the new host has been completed.

Old Business:

Nothing to report.

New Business:

Bob McGeever has located a source for 201 ‘Blue Box’ kits available for \$5.00 each. Motion made by Dingman, seconded by Hottmann to approve spending \$1005.00 for these ‘Blue Box’ kits. Motion carried.

Adjournment:

A motion was made by McGeever, second by Down to adjourn the meeting. Motion carried. The meeting was adjourned at 6:50 pm.

David Dingman - SCWD Clerk



For those members that participate in the listserv emails from Steve Lanphear, please remember to **send him your new email if you change it! Changing your email with the NMRA does not change it on the listserv. His email is:**

Steve Lanphear
SCWD listserv Coordinator
scwdmemberlist@mhtc.net

NMRA

**FROM the NMRA
Please Keep in Touch**

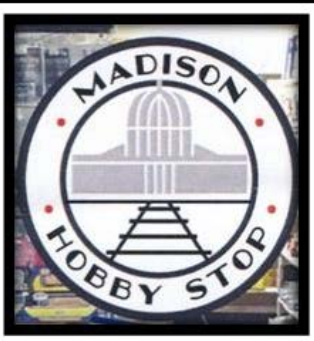
Please make sure the NMRA has your current contact information. You will not be able to access the full range of NMRA benefits unless we can reach you.

- Please visit nmra.org/members
- Use your email address and password to log in.
- If you have not yet registered, or forgot your password, there are buttons for that. Take a moment to easily correct any problems.
- Once logged in, click on Member Info (top right corner).
- Make sure your information is correct.
- If not, please go to:

nmra.org/request-membership-info-changes

to submit a request for changes to be made.

Thank you!



MADISON HOBBY STOP

6622 Mineral Point Road, Madison, WI 53705

Ph: 608-829-3820 • Fax: 608-829-3852 • www.madisonhobbystop.com

Hours: Monday – Friday (10 am – 8 pm) and Saturday (10 am – 5 pm)
Model Railroading • Plastic Model Kits • Rockets & Accessories • Pine Car •
Paints • Tools & more!

HAPPY SPRING!!

**Time to finish up the projects started this winter
before the yard work begins.**

For all your hobby needs, I have most in stock or can get.

**New/Old stock continues to come in,
stop in for best selection.**

**We are closed on Sundays
until late November.**



Thank you for your continued support.



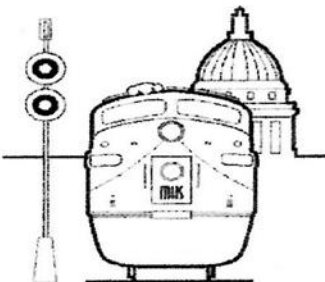
**Preorders are 20% off regular price except
Walthers Proto which is 20% off**

New/old consignment coming in weekly, stop in for best selection

**Remember, most model railroad items are 20% off
with a valid NMRA or other club id card**

Excludes discounted or sale items, magazines, and consignments

Gift Certificates Available



Madison Hobby Stop
Chris Roosli, Proprietor

The Hobby Depot

Brian Stackpole, owner



See us on the web at: www.hobbydepotmonroe.com



835-17th Street
Monroe, Wisconsin 53566

Phone: 608-325-5107

Call ahead to be sure we're open!

email: hobbydpo@tds.net

TRAINS & MORE

South Central Wisconsin Division of the
National Model Railroad Association

Publishes eleven issues yearly of the

BAD ORDER

Official Mailing Address:

BAD ORDER

3940 Trempealeau Trail

Verona, WI 53593

Photos in the Bad Order, unless otherwise noted,
are by Kathy Clancy

Deadline for submissions: **14th of the month**
prior to publication. Email Bad
Order Editor at SCWDKATHY@AOL.com

Place your ad here!!!

Contact

Kathy Clancy

Bad Order Editor

SCWDKathy@aol.com

RAILROAD THE GAME®



BUY ONLINE

www.railroadthegame.com

For \$11 off + free shipping
use coupon code: engine11



PLEASE PATRONIZE OUR AREA HOBBY STORES

The Hobby Depot – 835 17th Street – Monroe WI
Madison Hobby Stop – 6622 Mineral Point Rd (inside Clock Tower) – Madison WI *

* = Train Show Ticket advance sales

SCWD 2025-2026 Meeting Schedule

Regular Meeting

BOD

Youth Group

April 12, 2026
May 3, 2026

April 14, 2026
May 12, 2026

April 11, 2026
May 9, 2026

UPCOMING EVENTS

May 15, 2026 Banquet
July 18, 2026 Picnic

A Word about Constant Contact e-mail

Each Constant Contact e-mail includes links to update or unsubscribe your e-mail address. **Please do not use these links.** If you unsubscribe using the Constant Contact link, your e-mail address will be removed from the NMRA membership database, from the Midwest Region e-mail database and probably from your Division's records. If you get an e-mail that you don't want, just hit the delete key. Furthermore, if you use the update link, your change may not be timely posted to the NMRA membership database.

If you need to change your email address with the NMRA please follow these directions:

The direct way is to log on to the "Members" page of the NMRA website, choose the "View your NMRA membership" box on the right side of the screen, scroll down to the bottom of the page and select "Update". Enter the new email address in the appropriate box and click "Submit".